

YOUR FIRST LOAD



Splendide®
Laundry Centers



Is using a Splendide washer/dryer much different than what I'm used to?

Yes, in some ways. With Splendide machines you are washing and drying in the same drum (1.5-1.9 cu.ft.) and load sizes are smaller. Wash cycles/times are similar, but because combination washer/dryers are compact and operate using 115V (vs. 230V), dry times are longer. Instead of washing several, bulky loads of laundry in one day, you'll learn to adjust your laundry habits to wash smaller, more convenient loads every day or two.

What kind of laundry aids should I use? How much?

Splendide machines are very efficient and require less laundry aids to get your clothes fresh and clean. Use only 1-2 tbsp. of a low-sudsing powder detergent* (or liquid equivalent) and 1-2 tbsp. of a liquid* fabric softener per wash load. Adjust these amounts for smaller/larger loads or hard/soft water situations.

We recommend using high efficiency ("HE") detergents and bio-friendly softener brands (or similar brands that tend to appear light/white in color and are more liquid in consistency) - they dissolve quickly in less water to optimize your machines' performance while minimizing build-up within your machine.

*NOTE: NEVER use fabric softener sheets or detergent sheets

How much can it dry? How can I optimize drying?

Combination washer/dryers can wash larger loads than they can dry. It is important to remember that the dryer drums in separate w/d's are twice the size of washer drums, and with this machine you are washing and drying in the same drum. Accordingly, if you wash very full wash loads, you'll need to remove some items (up to 50%) after the wash cycle to give the remaining ones room to tumble freely while drying. For the optimum drying process to occur, all items must be able to tumble freely in the drum. If you overload the drum, your laundry will take much longer to dry. As a rule, if your dry times exceed 110 minutes, you should reduce your load sizes.

Also, because your machine spins at high speeds to remove more moisture from fabrics, some heavy items may cling to the drum after spinning. Using fabric softener will reduce this effect. However, if clinging occurs, after the dry cycle begins and the door lock releases, simply loosen/shake out clinging items. Then resume drying.

IMPORTANT MAINTENANCE:

The lint screen (located in the lower-right corner in the front of your machine) MUST be cleaned regularly of the lint and foreign matter that naturally accumulate from washing/drying clothes. **See Instructions on the back of this sheet.** Refer to your owners manual for complete instructions on cleaning your lint screen and other important maintenance tips.

See your owners manual for complete instructions

choose a Load

These instructions will familiarize you with using your new combination washer/dryer appliance by walking you through your first Splendide load.

Although your machine can wash larger loads, here are examples of four convenient load sizes that will go directly from wash through dry. Approximate dry times are noted in parenthesis next to each load and include a 12 min. cool down:

- 1) 1 set of queen size sheets and pillowcases (90')
- 2) 3 standard size (46"x 26") bath towels (110')
- 3) 4 cotton t-shirts & 4 cotton undergarments (110')
- 4) 1 pair of jeans (35x30), 2 t-shirts, 1 cotton undergarment (110')

CONTROLS, ETC.

- 1) Choose one of the sample loads from above and place it inside the machine. Close the door.
- 2) Gently pull the dispenser drawer out until it stops.
- 3) Add 1-2 tbsp. of powder detergent (or liquid equiv.) to the "Detergent" compartment. (Use compartment "A" for Cold/Cold wash/rinse; For all other wash/rinse temperatures use "B")
- 4) Add 1-2 tbsp. of liquid fabric softener to the "Softener" compartment.
- 5) If desired, add diluted bleach to the "Bleach" compartment.
- 6) Close the dispenser drawer.
- 7) Select a wash/rinse temperature. (ie. Cold/Cold, etc.)
- 8) Turn the wash program selector clockwise to the start of the "Regular" wash cycle.
- 9) Set the dry timer to the time indicated in parenthesis next to the load you chose. (ie. if you chose load #1, set the dry timer to 90 min.) For a complete explanation of ALL controls and wash programs please see your owners manual.
- 10) Push in the ON button. The door lock will engage and

wash + dry

The "Regular" wash cycle is approximately 60 minutes long and because you have already set your dry timer, the drum will preheat and the dryer will start automatically when the wash cycle is complete. One to two minutes after the dry cycle begins the door lock will release, but to optimize dry times, do not open the door until the dry cycle is complete.

Remove clothing immediately to reduce the risk of wrinkling, then fold or hanging them like you usually would.

done!

Westland Sales Corporate Headquarters
15650 SE 102nd Ave. Clackamas, OR 97015 / USA
Ph: 800 356 0766 F: 503 656 8829
splendide@westlandsales.com www.splendide.com

Member
FMCA
Family Motor Coach Association

Member
RVIA
Recreational Vehicle Industry Association

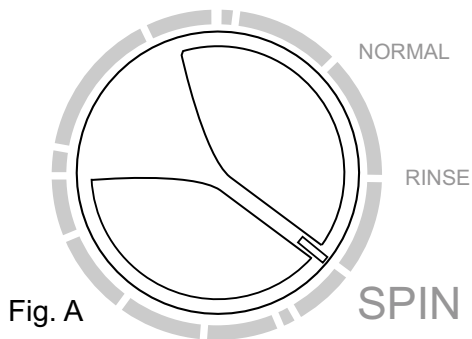
CLEANING THE FILTER

How Do I Clean the Drain Filter?

Follow these simple instructions to clean your washer-dryers' drain filter:

IT'S EASY!

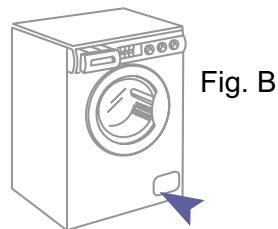
Before you begin: place a towel beneath the filter area to catch the small amount of water that may come out.



1.

With the machine empty and OFF, turn the Program Selector Knob to the start of the first spin cycle (Fig. A).

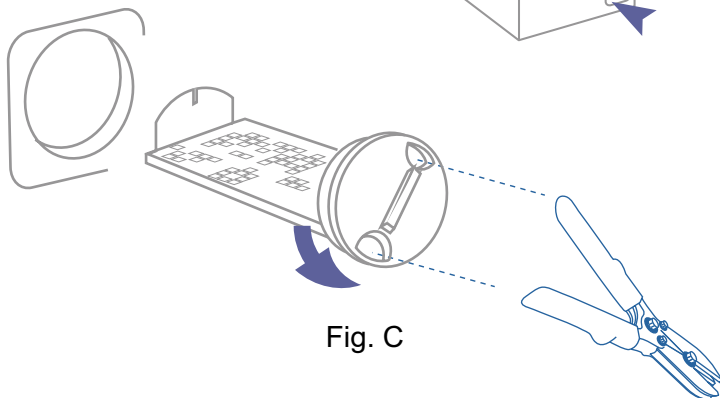
Now push the power button ON. The machine will begin spinning.
NOTE: You will have five min. from spin start to clean the filter before the pump begins cycling water.



2.

Open the service door by pressing on the left side (Fig. B).

Turn the filter counter-clockwise (Fig. C) to release it from its housing. Pull it out.
NOTE: If you have difficulty, the rubber handle ends of pliers or a similar tool can be used to unscrew or tighten the filter.

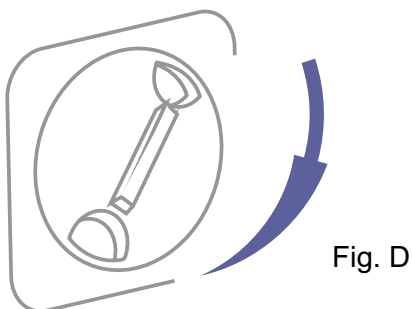


3.

Clean the filter under running water to help remove all lint and debris.

Replace the filter by sliding it back into its housing and turning clockwise to tighten securely.

Close the service door. Turn the machine power OFF.



done!

The drain filter protects the pump from lint and foreign matter and MUST be cleaned regularly.